

For use with TO-5 packages

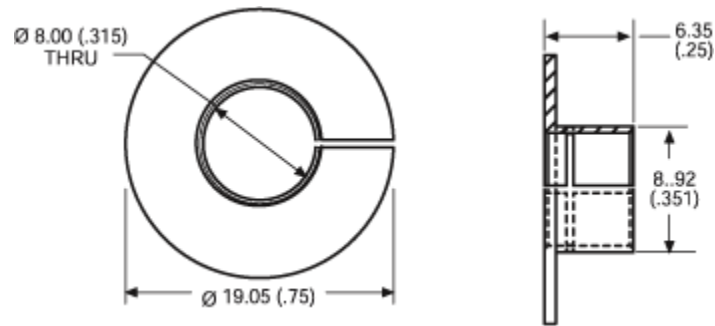
Part Number - 322605B00000G

RoHS    
 Compliant

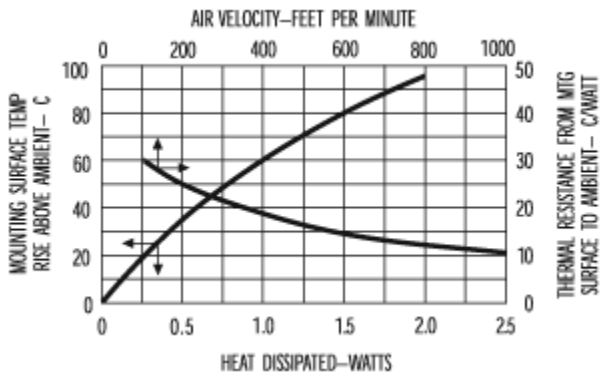
Product    
 Change   
 Notice



### Mechanical Outline Drawing



### Thermal Curves



Thermal Resistance	54.00
--------------------	-------

Thermal resistance value is based on a 75°C rise in natural convection

# Product Information

Part #	Description	Finish	Board Mounting
322605B00000G	Low cost push on heat sink	Black Anodize	N/A